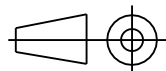
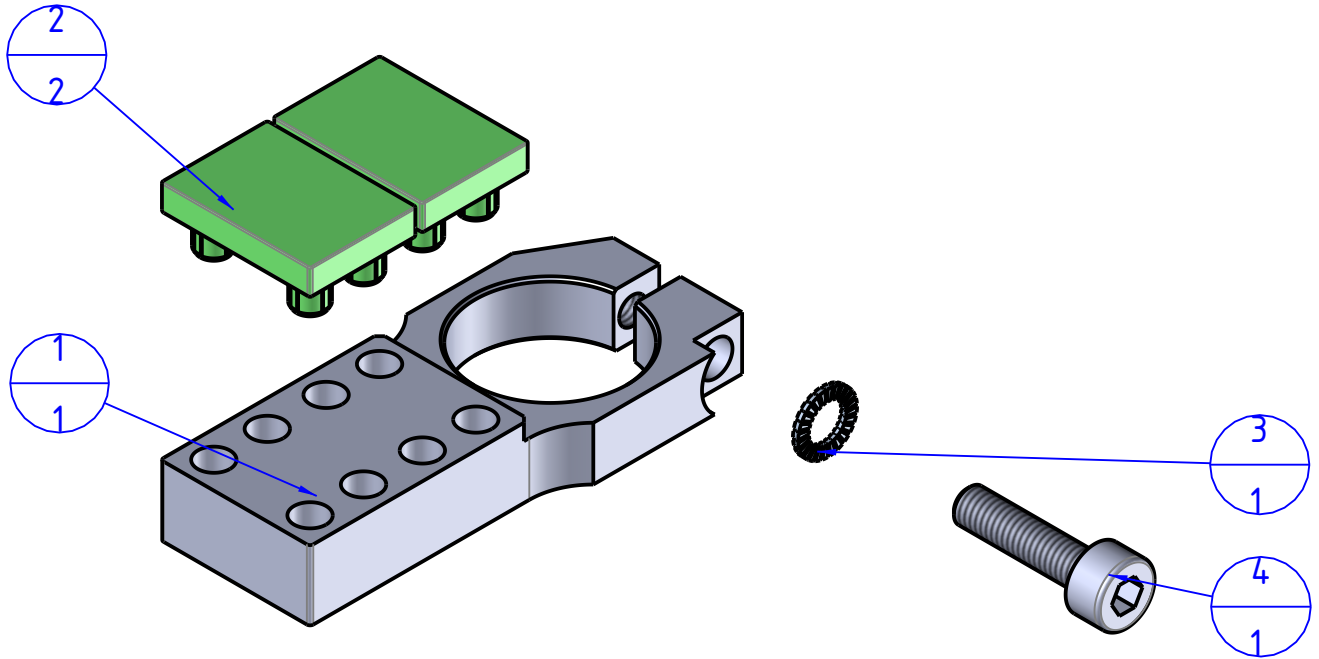
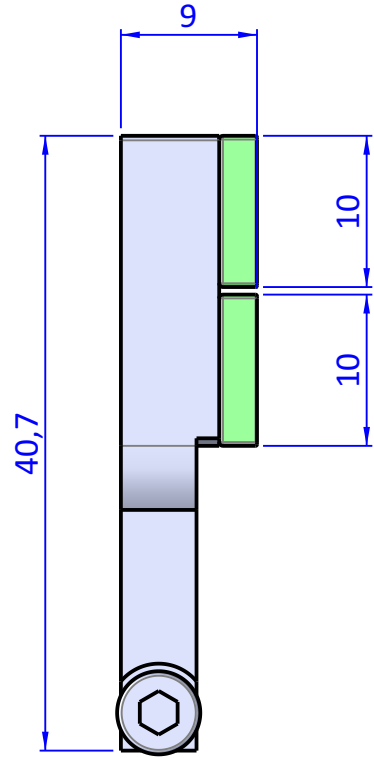
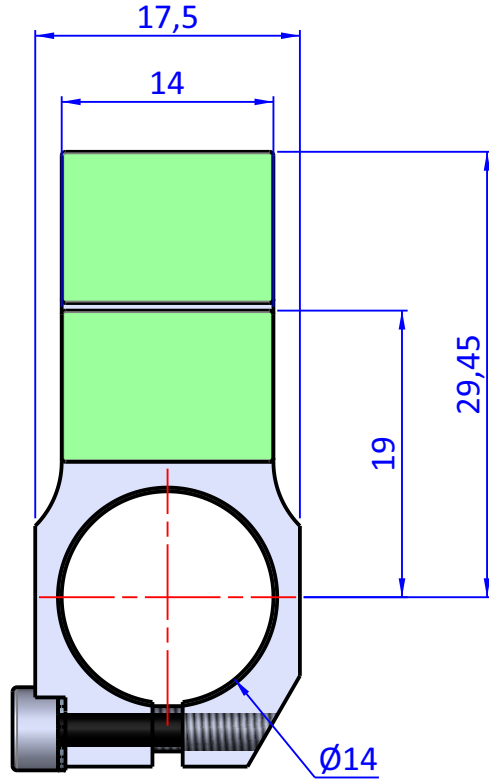


THE PROPERTY OF THE DRAWING IS ESTABLISHED BY LAW. IT IS FORBIDDEN TO PRODUCE OR SHOW IT TO THIRD PART. WITHOUT A WRITTEN AGREEMENT.

Item	Name	Q.ty
1	GRF14.95.07.20	1
2	GRF14.95.08.V	2
3	R.3.SCH	1
4	V.TCE3x12	1



DESIGNED FROM
FPS Automation

REVIEW
A

DATE
22/11/2024

WEIGHT
0,007kg

Format A4
UNI 936-76

GENERAL TOLERANCE
UNI - ISO 2768
CLASSE f

DESCRIPTION
GRF14.95.0708.20

CODE
GRF14.95.0708.20